

# Little GIANT<sup>®</sup>

## Pump Company

### 2-MD-SC SERIES



#### Features

- Thermally Protected, Open, Fan-Cooled Motor
- Sleeve Bearings
- 6' Power Cord with 3-Prong Plug  
(No plug on 230V)
- Specific Gravity to 1.1
- Fluid Temperature to 150 Degrees F.
- Ambient Air Temperature to 77 Degrees F.
- NOTE: Consult your local distributor or the factory for applications with higher ambient temperatures, specific gravities and viscosities.

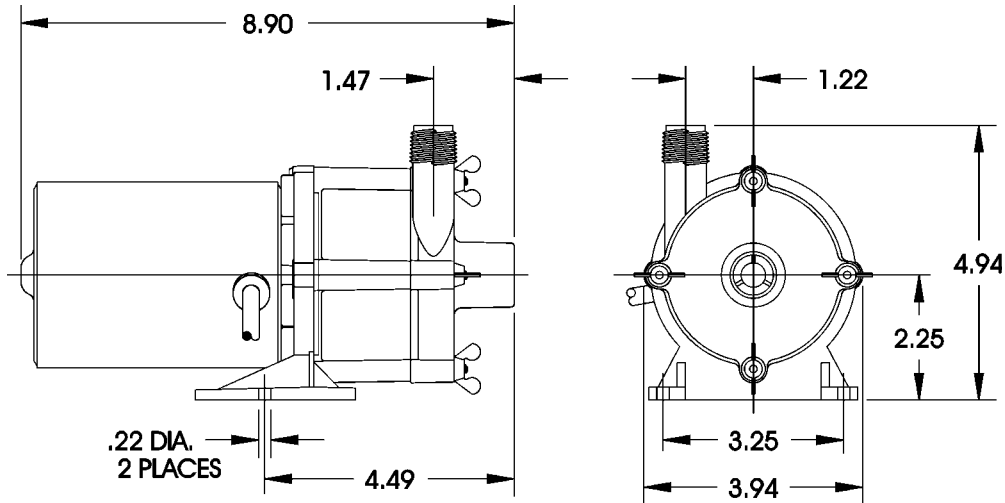
#### Construction

- Volute — Glass-filled Polypropylene
- Housing — Glass-filled Polypropylene
- Impeller — Glass-filled Polypropylene
- Shaft — Ceramic
- Thrust Washers — Ceramic
- O-Ring - Nitrile

The Little Giant MD-SC series features leakproof, seal-less magnetic drives and are designed for in-line, non submersible use. Volute, magnet housing and impeller are glass-filled polypropylene for excellent chemical resistance. Ceramic shaft and thrust washers are 99.5% pure alumina for excellent wear and trouble-free service. Pumping heads are easily rotated, cleaned or serviced with no special tools required. Spindle shaft is supported at both ends to prevent impeller damage during start-up and stop of pump.

# Little Giant Pump Co.

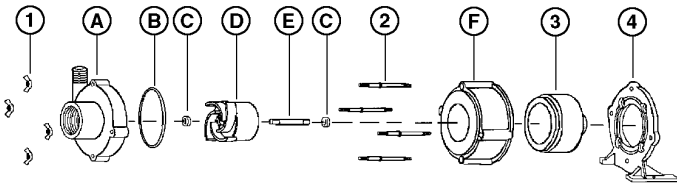
## 2-MD-SC SERIES



NOTE: Designs and dimensions may vary for various reasons (i.e. type of motor). This information should be used as general guide rather than an unqualified guarantee. Specifications are subject to change without prior notice.

### Specifications

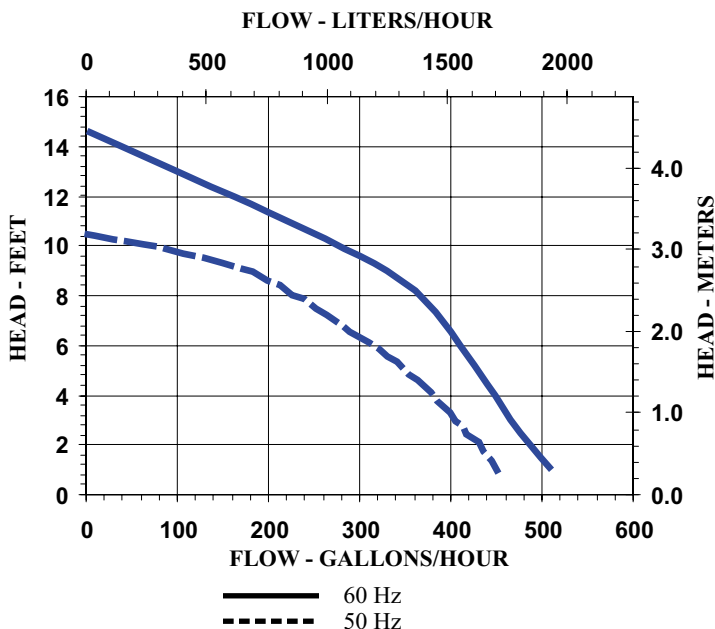
Model No.	Item No.	Intake	Discharge	Listing(s)	HP	Volts	Hertz	Amps	Watts	Performance (GPH @ Head)				Shut Off		Pwr. Cord (ft)	Weight (Lbs.)
										1'	3'	6'	9'	Feet	PSI		
2-MD-SC	580503	1/2" FNPT	1/2" MNPT	UR/C-CSA	1/25	115	60	1.4	109	510	465	410	330	14.6	6.3	6	6.25
2-MD-SC	580513	1/2" FNPT	1/2" MNPT	UR/C-CSA	1/30	230	50/60	.65/.64	105/100	510	465	410	330	14.6	6.3	6	6.25
2-MD-SC	580598	1/2" FNPT	1/2" MNPT	PUMP HEAD LESS MOTOR													1.83



### Replacement Parts

ITEM	PART NO.	DESCRIPTION
A	180079	Volute
B	924007	O-Ring
C	921077	Thrust Washer
D	180100	Impeller
E	180059	Shaft
F	180004	Housing
1	920003	Wing nut
2	911403	Stud, Collared
3	180602	Drive Magnet
4	180031	Mtg. Bracket (115V)
4	180037	Mtg. Bracket (230V)

Note: Parts A-F Contact Fluid.



**Little Giant Pump Co.**  
 PO Box 12010  
 Okla. City, OK 73157  
 Phone: 405.947.2511  
 Fax: 405.228.1550  
[www.LittleGiantPump.com](http://www.LittleGiantPump.com)